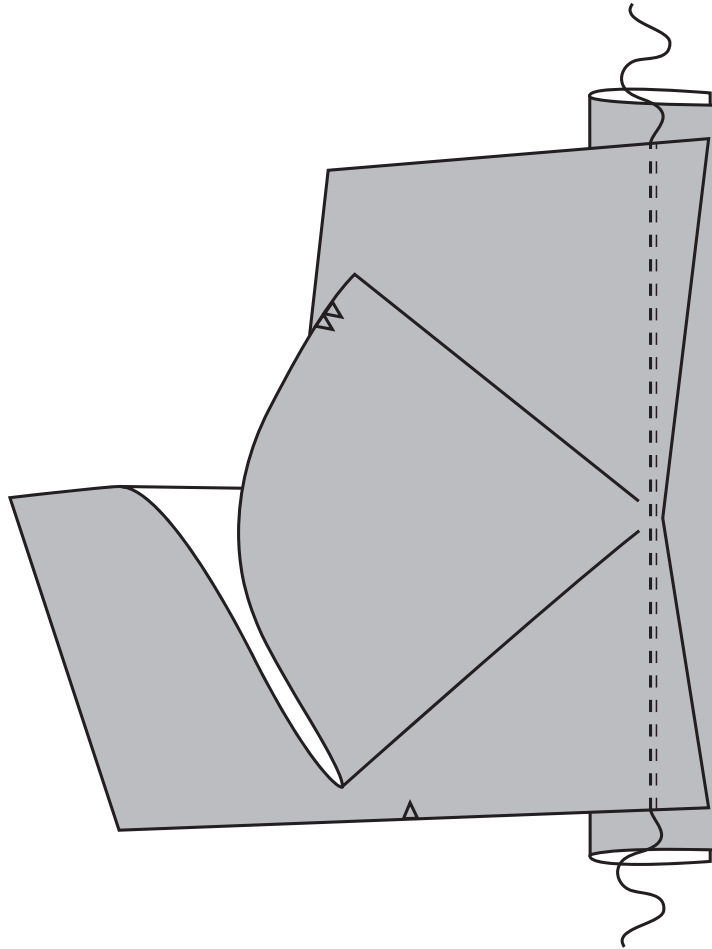


## **OOPS! Bells Shirt Guidesheet Correction**

Page 4; Sleeve Section; 1st column; Last Illustration

### **Replace with illustration below**

Place folded sleeve placket to wrong side of sleeve slit. Open slit and position staystitching line 3/8" from raw edges of strip. Using small stitches, stitch very close outside of staystitching.



**The Sewing Workshop**  
Pattern Collection  
[www.sewingworkshop.com](http://www.sewingworkshop.com)